

PARTS LIST		CONTRACTOR DEWATERING PUMP			11/2/2017	
ITEM	PART No.	DESCRIPTION	QTY	SIZE	MATERIAL	NOTES
1	001-840-32	Cable Set (50') 60Hz(USA)	1	2PNCTF4Cx2mm2	KTZ	
2	010-124-15	Cable Clip Rubber 60Hz(USA)	1	No.3	NBR	
3	010-120-18	Cable Clip	1	No.2-1	SPC	
4	141-004-59	Hex.Nut	1	M6	SWRM	
5	140-032-37	Hex.Bolt	1	M6x15	SWRM	
6	095-131-18	Chain	1	4mm(3L)	SS	
7	011-101-19	Shackle	1	6mm	SS	
8	140-060-18	Hex.Bolt	4	M8x50	SUS304	
9	006-167-17	Stuffing Box	1	No.1-3	FC	included in ITEM# 1 Cable Ass'y
10	122-121-12	O-Ring	1	G-50(49.4xd3.1)	NBR	*
11	004-167-11	Cable Bush	1	No.1	CR	included in ITEM# 1 Cable Ass'y
12	008-156-19	Mould Cover	1	No.1-3	ADC	included in ITEM# 1 Cable Ass'y
13	009-126-13	Terminal	4	1.25mm2/2mm2	Nylon	included in ITEM# 1 Cable Ass'y
14	002-135-14	Heat Shrink Tube (Sold per meter)	m	A(d15x0.3t)	(Vm)	
15	140-079-10	Hex.Bolt	4	M10x40	SUS304	
16	142-164-19	Spring Washer	4	M10	SUS304	
17	070-117-11	L-Shape Fitting	1	40x25x4.5t d13Hole	SPC	
18	140-074-15	Hex.Bolt	2	M10x20	SUS304	
19	068-262-15	Handle	1	KTZ23.7/45.5	SGP+SS	
20	140-000-01	Hex.Bolt	4	M10x30(B=14)	SUS304	
21	142-128-24	Plain Washer	4	M10	SPC	
22	032-162-13	Hose Coupling (for USA)	1	NPT-4(GH-37L)	FC	
23	121-141-15	Packing	1	KRB-3/4	NBR	*
24	050-419-14	Motor Bracket	1		FC	
25	122-276-13	O-Ring	1	160xd3.1	NBR	*
26	053-241-25	Motor Protector 220V-60Hz(USA)	1	KA313-GGXL110	(T.C)	
	053-000-02	Motor Protector 440V-60Hz(USA)	1	KA313-GDVL103	(T.C)	
27	143-126-12	Pan Screw (w/Spring Washer/Plain Washer)	2	M4x12	SWRM	
28	009-293-12	Earth Terminal	1Set	2mm2x180l		
29	143-085-34	Pan Screw (w/Spring Washer)	1	M4x6	C3604	
30	142-196-10	Wave Washer	1	6205/6304	SK5	
31	052-107-12	Bearing	1	6304ZZC3		
32	122-367-12	O-Ring	1	52xd3.1	NBR	*
33	058-000-04	Lead Wire Protection Plate	1	d66xd150x1.5t	Bakelite	
34	055-000-33	Rotor	1Set			
35	147-026-13	Impeller Key	1	5x5x25L	SUS420	
36	056-001-27	Stator 220V-60Hz(USA)	1Set			
	056-001-29	Stator 440V-60Hz(USA)	1Set			

PARTS LIST		CONTRACTOR DEWATERING PUMP			11/2/2017	
ITEM	PART No.	DESCRIPTION	QTY	SIZE	MATERIAL	NOTES
37	121-506-12	Packing (Water Way, Upp.)	1	KTZ23.7/33.7/43.7	NBR	*
38	064-000-19	Motor Frame	1		FC	
39	140-078-19	Hex.Bolt	4	M10x35	SUS304	
40	142-164-19	Spring Washer	4	M10	SUS304	
41	121-247-12	Packing	1	d12.3xd18x2t	PE	*
42	140-000-17	Hex.Bolt (w/Flange)	1	M12x15(Oil Plug)	SUS304	
43	140-030-35	Hex.Bolt	4	M6x12	SWRM	
44	142-162-33	Spring Washer	4	M6	SWRH	
45	062-219-19	Bearing Cover	1	P.C.94xd70x2.3t	SPCC	
46	052-110-18	Bearing	1	6307ZC3		
47	122-133-17	O-Ring	1	G-110(109.4xd3.1)	NBR	*
48	060-411-17	Bearing Housing	1		FC	
49	142-163-34	Spring Washer	4	M8	SWRH	
50	140-054-48	Hex.Bolt	4	M8x20	SWRM	
51	025-000-01	Mechanical Seal	1	HT-2530N	SiC	
52	143-070-23	Pan Screw	2	M5x6	SWRM	
53	030-139-15	Oil Lifter	1	HT-2530	Resin	
54	143-070-10	Pan Screw	4	M5x6	SWRM	
55	030-148-17	Seal Stopper	1	HT-2530	SPCC	
56	122-283-13	O-Ring	1	165xd3.1	NBR	*
57	121-124-12	Packing (Water Way, Low.)	1	KTV-37/55	NBR	*
58	020-001-02	Pump Casing	1	KTZ23.7/33.7/43.7	FC	
59	026-144-49	Oil Seal	1	TC-40588	NBR	
60	040-106-27	Impeller Shim		d20.2xd30x0.3t	SUS304	
61	021-563-30	Impeller (60Hz)	1	KTZ43.7-62	HiCrFC	
62	047-104-26	Impeller Thread Protect.Cover	1	No.3B(18)	SUS304	
63	142-166-11	Spring Washer	1	M16	SUS304	
64	141-033-15	Hex.Cap Nut	1	M16	SUS304	
65	120-109-21	Packing (S.Cover)		d180xd222x0.5t(d12)	PE	
66	022-000-56	Suction Cover	1	KTZ43.7/45.5	FCD	
67	142-128-24	Plain Washer	3	M10	SPC	
68	140-074-15	Hex.Bolt	3	M10x20	SUS304	
69	142-128-24	Plain Washer	3	M10	SPC	
70	144-000-31	Stud Bolt	3	M10x94(20/14)	SUS410	
71	023-471-10	Strainer Stand	1	KTZ23.7/45.5	SPCC	
72	142-128-24	Plain Washer	3	M10	SPC	
73	141-006-77	Hex.Nut	3	M10	S45C	
	173-514-14	Packing O-Ring Set	1Set	(Marked by *)		



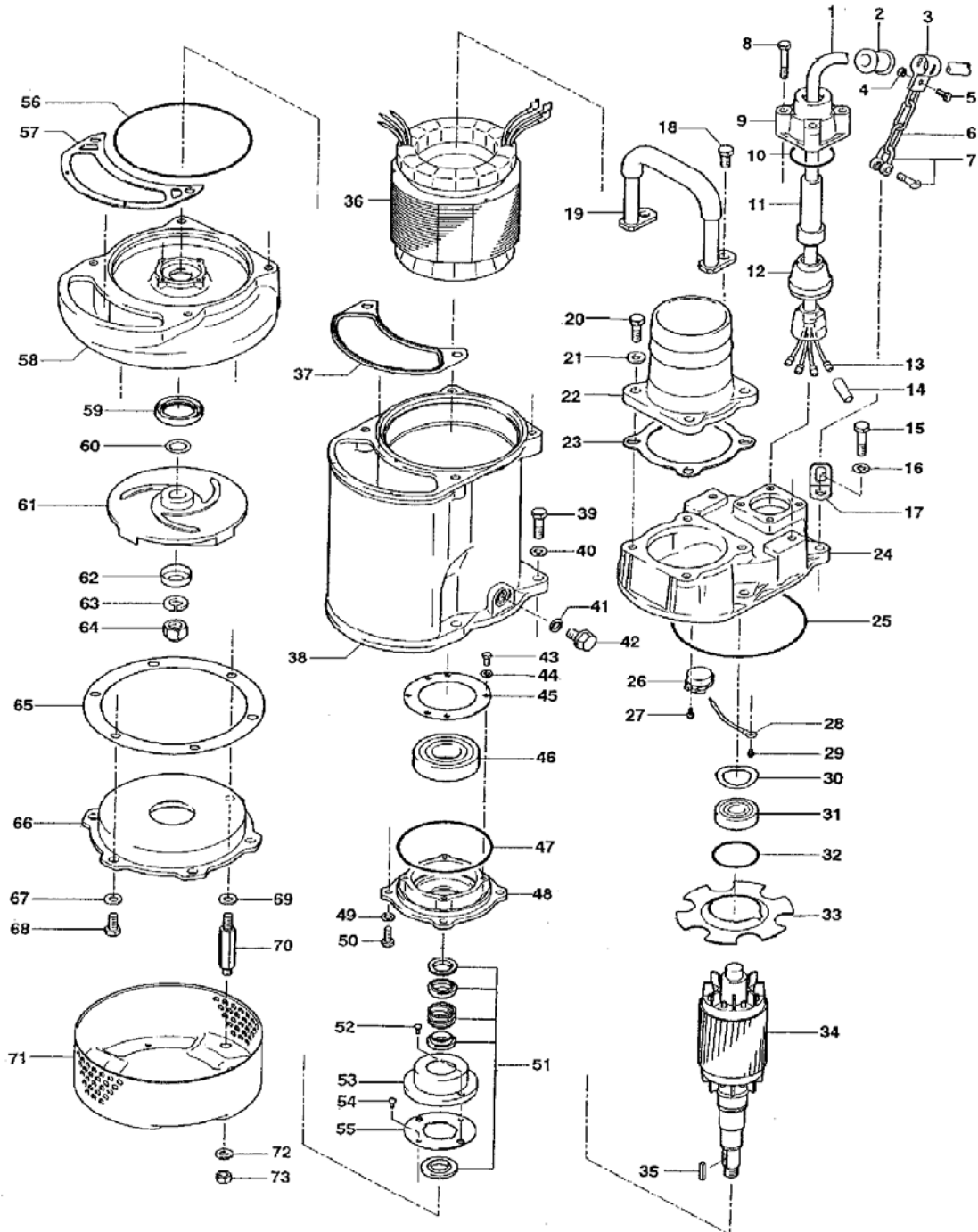
MODEL **KTZ43.7-62**

PARTS LIST		CONTRACTOR DEWATERING PUMP			11/2/2017	
ITEM	PART No.	DESCRIPTION	QTY	SIZE	MATERIAL	NOTES
10	122-121-12	O-Ring (S.Box)	1	G-50(49.4xd3.1)	NBR	*
23	121-141-15	Packing (Hose Coupling)	1	KRB-3/4	NBR	*
25	122-276-13	O-Ring (M.Bracket/M.Frame)	1	160xd3.1	NBR	*
32	122-367-12	O-Ring (Upp. Bearing)	1	52xd3.1	NBR	*
37	121-506-12	Packing (Water Way, Upp.)	1	KTZ23.7/33.7/43.7	NBR	*
41	121-247-12	Packing (Oil Plug)	1	d12.3xd18x2t	PE	*
47	122-133-17	O-Ring (M.Frame/Brg.Housing)	1	G-110(109.4xd3.1)	NBR	*
56	122-283-13	O-Ring (M.Frame/P.Casing)	1	165xd3.1	NBR	*
57	121-124-12	Packing (Water Way, Low.)	1	KTV-37/55	NBR	*
		Lubricant		Turbine Oil VG32 1,200ml		
	183-008-11	Impeller Puller	1	A No.3 1"	FC	

PARTS LIST		CONTRACTOR DEWATERING PUMP			11/2/2017	
ITEM	PART No.	DESCRIPTION	QTY	SIZE	MATERIAL	NOTES

EXPLODED VIEW

KTZ43.7-52/62



C-00618-1